

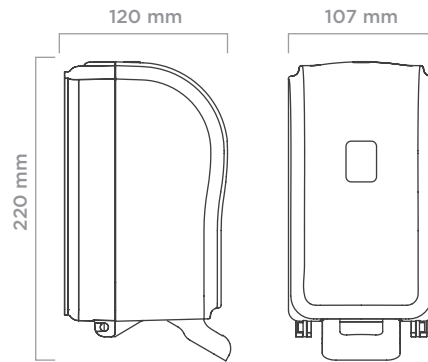


optima line

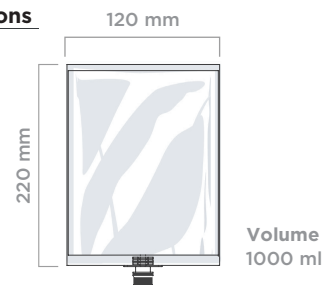
## manual soap dispenser (cartridge)



### dimensions



### cartridge dimensions



Type	Manual (cartridge)
Item No	930601 (foam pump)   930602 (liquid pump)
Colour	White or Black
Plastic Material	ABS
Mounting Type	Wall mount
Packaging Dimensions (mm)	135 (l) x 135 (w) x 245 (h)
Gross Weight (kg)	0,55
Net Weight (kg)	0,45
Dispensing amount (ml)	0,40 (foam pump)   1,25 (liquid pump)
Cartridge Volume (ml)	1000
Case Quantity (pcs.)	1



(UK) PrimeSource, PO BOX 15247, Birmingham, B23 3HN, UK  
 (IE) PrimeSource, Unit D9, Horizon Logistics Park, Co. Dublin, Ireland K67 N4T2  
 Email: [info@prime-source.co.uk](mailto:info@prime-source.co.uk)

PRISTINE® is a registered trademark of Bunzl UK Ltd