

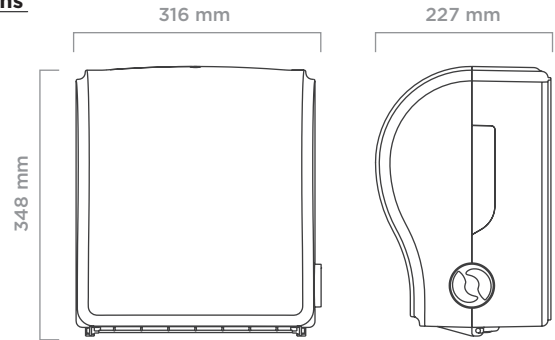


optima line

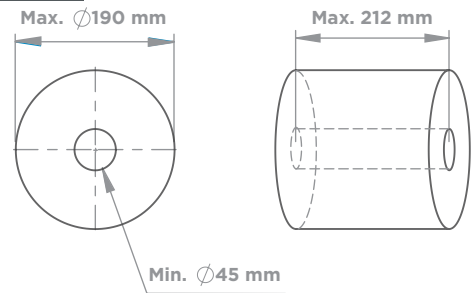
## autocut roll towel dispenser



### dimensions



### roll paper dimensions



Type	Manual
Item No	910602
Colour	White or Black
Plastic Material	ABS
Mounting Type	Wall mount
Packaging Dimensions (mm)	327 (l) x 256 (w) x 397 (h)
Gross Weight (kg)	2,75
Net Weight (kg)	2,5
Paper service length (cm)	24,5
Towel Roll Dimensions (mm)	Max. 212 (w) x Max. $\varnothing$ 190, core diameter min. 45
Case Quantity (pcs.)	1



(UK) PrimeSource, PO BOX 15247, Birmingham, B23 3HN, UK  
 (IE) PrimeSource, Unit D9, Horizon Logistics Park, Co. Dublin, Ireland K67 N4T2  
 Email: [info@prime-source.co.uk](mailto:info@prime-source.co.uk)

PRISTINE® is a registered trademark of Bunzl UK Ltd