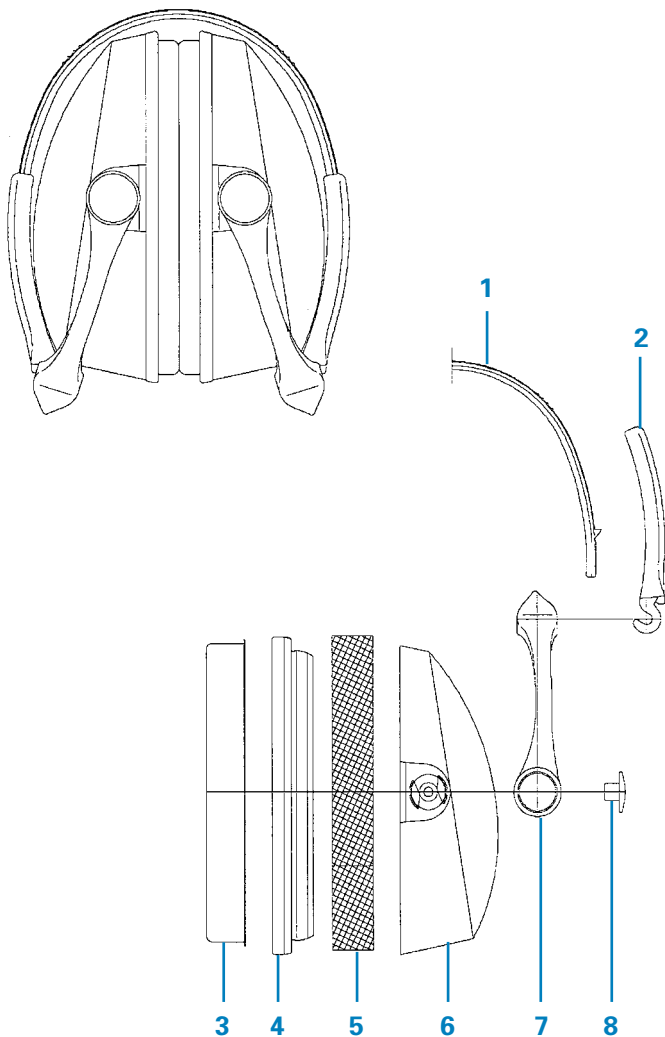


# Bilsom® 815 NST®

## Product Information



### Product Range

Article	Packaging Type	Art.No.	Size
Bilsom 815 NST Earmuff	10 boxes per	1005110	S-M-L

### SAP Description

1005110 815 NST MUFF/BILSOM

### Product Description

Part Listing	Material	Colour
1 Headband	POM	Olive
2 Headband slide	PC/PBT	Black
3 Ear cushion	PVC/Polyether	Black
4 Rim	PP	Black
5 Liner	Polyether	Grey
6 Cup	PP	Olive
7 Fork	POM	Black
8 Cover	POM	Black

### Specifications

Weight	Inside cup space	
190 g/6,7 oz	Width 38 mm/1,50 in	Length 68 mm/2,68 in

Height adjustment	Headband force	Wearer position
35 mm/1,38 in	9,9 N/2,23 lbf	over-the head

Accessories	Art.No
Hygiene kit Packed in plastic bag, including two ear cushions and liners	1006080
Cool Sweat absorbing pads, 5-pair	1000365
Beltcase For carrying purpose	1000251
Beltclip For carrying purpose	1000252

# Bilsom® 815 NST®

## Product Information

### Packaging

<b>Sales units</b>	Box	1 muff
	Case	10 boxes
	Pallet	112 cases
<b>Volume</b>	Box	1,56 dm³/93,2 cu.in
	Case	0,0187 m³/0,661 cu.ft
	Pallet	2,27 m³/80,1 cu.ft
<b>Weight</b>	Box	238 g/8,4 oz
	Case	2,65 kg/5,85 lbs
	Pallet	319 kg/703 lbs
<b>Material</b>	Box	Cardboard
	Case	Corrugated cardboard

### Approvals/Certifications

Market	Certified by
CE	(BIA, No 2000 1137)
USA	EPA
Canada	CSA
Australia	Not yet tested

### Customs Tariffs      Country of Origin

39269099	Sweden
----------	--------

### Temperature Operation Range

-20°C to +60°C/-4°F to +140°F
-------------------------------

### Product marking

"CE" – inside headband
"815 NST Bilsom" – headband slide

### EAN-UPC

	EAN	UPC
1 Box	7312550051108	040025301522
1 Case	17312550051105	N/A

### Attenuation Data, over the head position

Bilsom® 815 NST® tested according to EN 352-1. Inspec test report No XXX

Frequency Hz	63	125	250	500	1000	2000	4000	8000	SNR Value
Mean Value dB	12,8	14,9	24,2	27,7	25,2	28,6	29,3	28,7	26 dB
Standard Deviation dB	4,0	3,8	3,8	2,6	2,1	2,9	3,4	4,2	
Assumed Protection dB	8,8	11,1	20,4	25,1	23,1	25,7	25,9	24,5	

*H=25 dB M=24 dB L=19 dB*

Bilsom® 815 NST® tested according to ANSI S3. 19-1974 , Michael & Associates Inc. test report No Q100A

Frequency Hz	125	250	500	1000	2000	3150	4000	6300	8000	NRR Value
Mean Value dB	19,5	23,3	27,8	24,2	27,6	32,0	32,9	31,5	30,1	20 dB
Standard Deviation dB	4,0	2,8	2,9	2,2	2,7	2,9	2,9	3,2	3,4	

*CSA Class B NRR 20*

Bilsom® 815 NST® tested according to Australian Standard

Frequency Hz	125	250	500	1000	2000	4000	8000	SLC <sub>80</sub> Value
Mean Value dB								
Standard Deviation dB								

# Bilsom® 815 NST®

## Product Information



### **Uniform attenuation**

- Sounds are reproduced in a natural and unmuffled way.
- Talking to co-workers is enhanced without reducing the level of noise protection.
- Warning signals are easier to hear.
- The feeling of isolation decreases.
- Increased wearing time.
- Predictable performance in all types of noise environments.

- Important machine noises are easier to hear.
- The low frequency noise that masks parts of important speech frequencies is reduced. This makes it easier to understand what is said.

### **Foldable headband design**

- Convenient and compact storage for the user, especially together with the Bilsom Belt-Clip (optional accessory).
- 100% wearing time as the user can always have the muff ready for operation.

### **Belt case (optional accessory)**

- Convenient, hygienic and compact storage for the user.

### **Snap-fit ear cushion exchange**

- Quick and safe exchange of the ear cushions (should normally be done every 3-6 months).

### **Broad ear cushions**

- Low pressure on the head provides greater comfort.

### **Advanced headband construction in acetal polymer**

- The pressure of the headband on the head is low, but it prevents noise leakage.

- No risk of headband deformation and reduced attenuation if workers try to deform the headband.

### **Quick-click headband height adjustment**

- Quick and exact height adjustment that remains fixed during usage.

### **Spacious cups**

- Plenty of space for the ears increases wearing comfort.

### **Innovative and modern design**

- Greater user compliance as the product is more attractive.

## **Environmental Aspects**

- The transportation case (containing 10 muffs) as well as the individual muff boxes are made of recycled material.
- They are printed with water-based ink.



**Bilsom®**

A brand of Dalloz Safety®