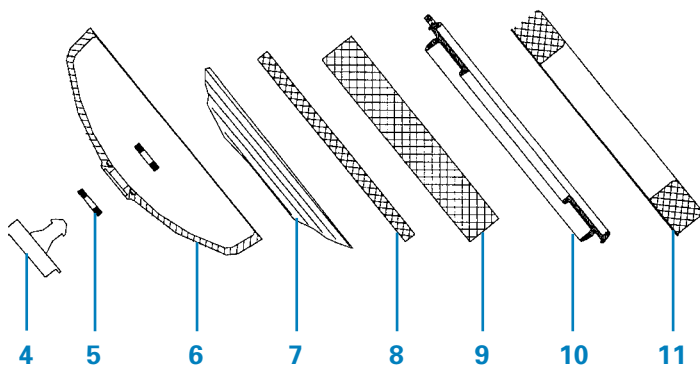
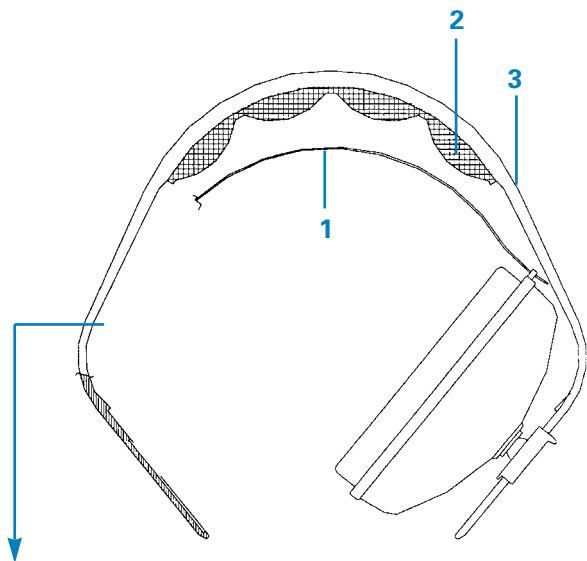


Bilsom® Blue Comfort®

Product Information



Product Range

Article	Packaging Type	Art.No.	(US version)
Bilsom Blue Comfort Earmuff	20 boxes per case	1005821	1006037

SAP Description

1005821	BLUE COMFORT MUFF/BILSOM
1006037	BLUE COMFORT MUFF USA/BILSOM

Product Description

Part Listing	Material	Colour
1 Head strap	PVC	Black
2 Headband cushion (US version)	PE-E	Black
3 Headband	POM	Black
4 Attachment knob	PA	Black
5 Rubber Washer	EPDM	Black
6 Cup	PP	Blue
6 Cup (US version)	ABS	Blue
7 Liner (US version)	Bilsom Ear Down	White
8 Foam pad (US version)	PUR-E	Black
9 Liner	PUR-E	Grey
10 Rim	PP	Black
10 Rim (US version)	ABS	Black
11 Ear Cushion	PVC/PUR-E	Black

Specifications

Weight	Inside cup space	
166 g/5,9 oz	Width 38 mm/1,50 in	Length 65 mm/2,56 in
Height adjustment	Headband force	Wearer position
38 mm/1,5 in	12 N/2,7 lbf	Over the head, under the chin, behind the head
Accessories		Art.No.
Hygiene kit	Packed in plastic bag, including two ear cushions and two liners	1006018
Beltclip	For carrying purpose	1000163 (US version)
Cool	Sweat absorbing pads, 5-pair	1000252
		1000365

Bilsom® Blue Comfort®

Product Information

Packaging

Sales unit	Box	1 pair
	Case	20 boxes
	Pallet	30 cases
Volume	Box	3,30 dm ³ /185 cu.in
	Case	70,1 dm ³ /2,48 cu.ft
	Pallet	2,4 m ³ /84,4 cu.ft
Weight	Box	235 g/8.3 oz
	Case	5,3 kg/11,7 pounds
	Pallet	181 kg/399 lb
Material	Box	Cardboard
	Case	Corrugated Cardboard

Approvals/Certifications

Market	Certified by
Europe	CE (BIA, No 2001 1016)
USA	EPA
Canada	CSA
Australia	<i>Not yet tested</i>

Customs Tariffs

39269099

Country of Origin

Sweden

Temperature Operation Range

-20°C to +60°C/-4°F to +140°F

Product Marking

"CE" "Bilsom Blue Comfort" – headband

EAN-UPC

	EAN	UPC
1 Box	7312550058213	N/A
1 Case	17312550058210	N/A

EAN-UPC, US version

	EAN	UPC
1 Box	7312550060377	040025301799
1 Case	17312550060374	N/A

Attenuation Data, over the head position

Bilsom® Blue Comfort® tested according to EN 352-1 BIA test report No 200023587

Frequency Hz	63	125	250	500	1000	2000	4000	8000	SNR Value
Mean Value dB	11,8	10,7	15,9	26,1	31,8	34,3	32,7	33,3	26 dB
Standard Deviation dB	3,4	3,3	3,4	2,9	3,0	3,9	2,7	3,0	
Assumed Protection dB	8,4	7,4	12,5	23,2	28,8	30,4	30,0	30,3	

H= 31 dB M= 23 dB L= 14 dB

Bilsom® Blue Comfort® tested according to ANSI S3.19-1974, Michael & Associates Inc. test report No 10/20/00

Frequency Hz	125	250	500	1000	2000	3150	4000	6300	8000	NRR Value
Mean Value dB	17	21	26	36	38	41	42	39	36	25 dB
Standard Deviation dB	2,1	1,9	2,0	1,8	1,8	2,4	1,6	2,5	1,9	

CSA Class B NRR 25 US version only

Bilsom® Blue Comfort® tested according to Australian Standard

Frequency Hz	125	250	500	1000	2000	4000	8000	SLC ₈₀ Value
Mean Value dB								
Standard Deviation dB								

Bilsom® Blue Comfort®

Product Information



Headband strap (included in the package)

- Improves comfort, attenuation and fit when the muff is worn behind the neck or under the chin.
- Gives the user possibilities to wear the muff in three positions (over the head, under the chin, behind the neck), especially important if the wearer is using other types of PPE (e.g. helmets, visors, respirators..).

Snap-fit ear cushion exchange

- Quick and safe exchange of the ear cushions (should normally be done every 3-6 months).

Broad earcushions

- Low pressure against the head gives greater comfort.

Advanced headband construction in acetal polymer

- A robust construction that can withstand rough treatment in industry.
- No risk of headband deformation and reduced attenuation if workers try to reform the headband.

Headband cushion (only valid for US version 1006037)

- Soft and comfortable contact surface against the head.

Spacious cups

- Plenty of space for the ears increases wearing comfort.

Environmental Aspects

- The transportation case (containing 20 muffs) as well as the individual muff boxes are made of recycled material.
- They are printed with water-based ink.

