



# ENDURASIGN QUICKFIT FRAME





# CONTENTS

## PAGE

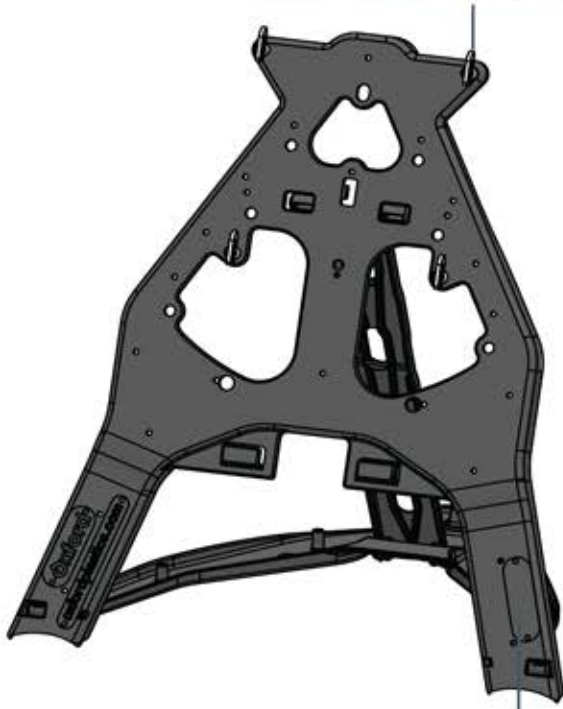
3	<b>Features</b>
4	<b>Dimensions and weights</b>
6	<b>Supplementary plate</b>
7	<b>EnduraSign Ballast</b>
8	<b>Wind resistance</b>
9	<b>Durability testing</b>
10	<b>Colour customisations</b>
11	<b>Compactness and lightness</b>
12	<b>Spares and maintenance</b>
13	<b>Recyclability</b>
14	<b>Contact information</b>



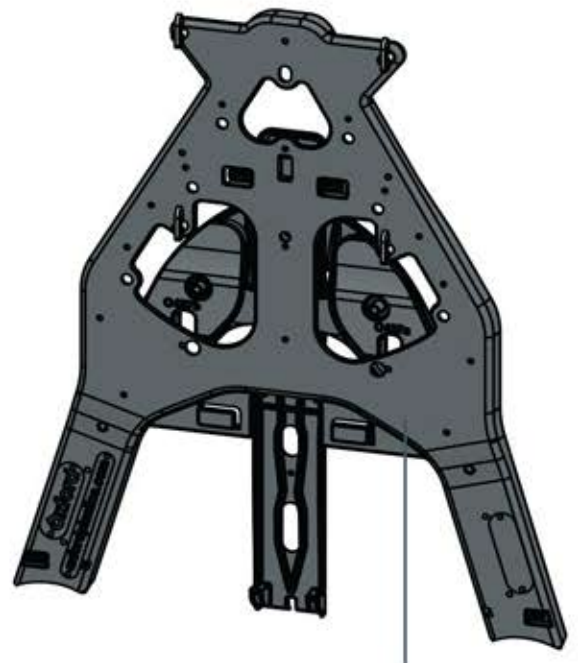


## FEATURES

30CM SQUARE MOUNTING FASTENERS  
AS PER QUICKFIT MINI FRAMES TO  
ACCEPT THE SAME SIGNFACES



SPACE FOR ENGRAVED  
CUSTOMER LOGO



COLLAPSES FLAT

### QUICKFIT

4 droplock system compatible with all quickfit faces.

Quickly change faces on site.

Reduce weight and quantity of products in works vehicles.

Change damaged reflective.

### DURABLE

Flexible material that won't crack.

Plastic frame will not conduct electricity or rust over lifetime.

Non-metal construction reduces theft.

Does not scratch the inside of works vehicles.

### COMPACT & EASY TO USE

Quick to deploy.

Safe and easy to handle with no sharp edges.

### EXTRAS

Can be customised with customer logos, MOQ 150.

Available in custom coloured frame, MOQ 150.

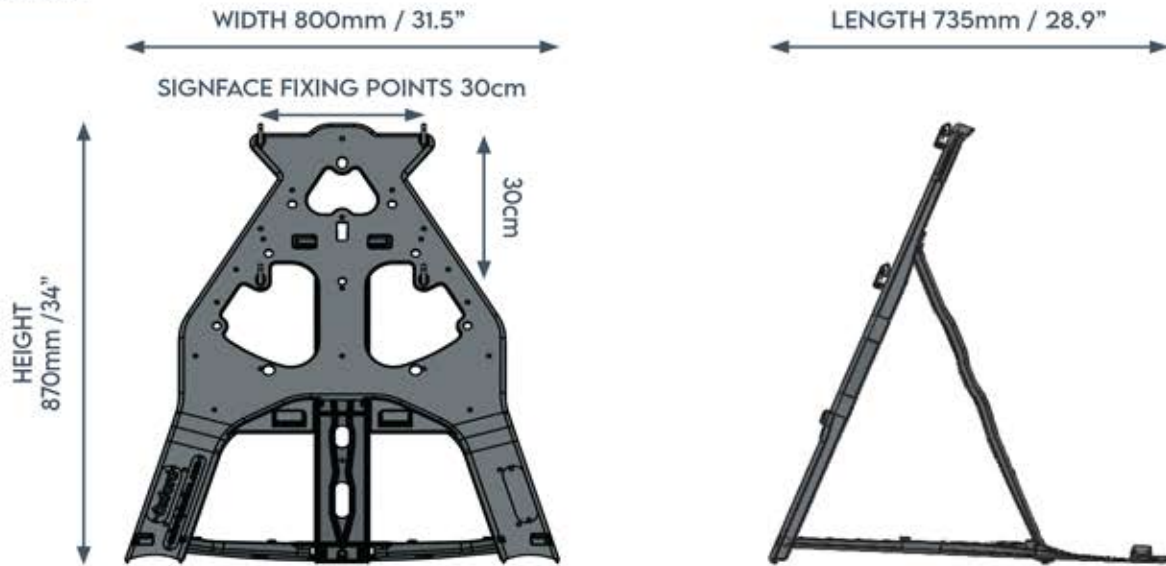
EnduraSign Ballasts can be fitted securely for higher windspeed categories.



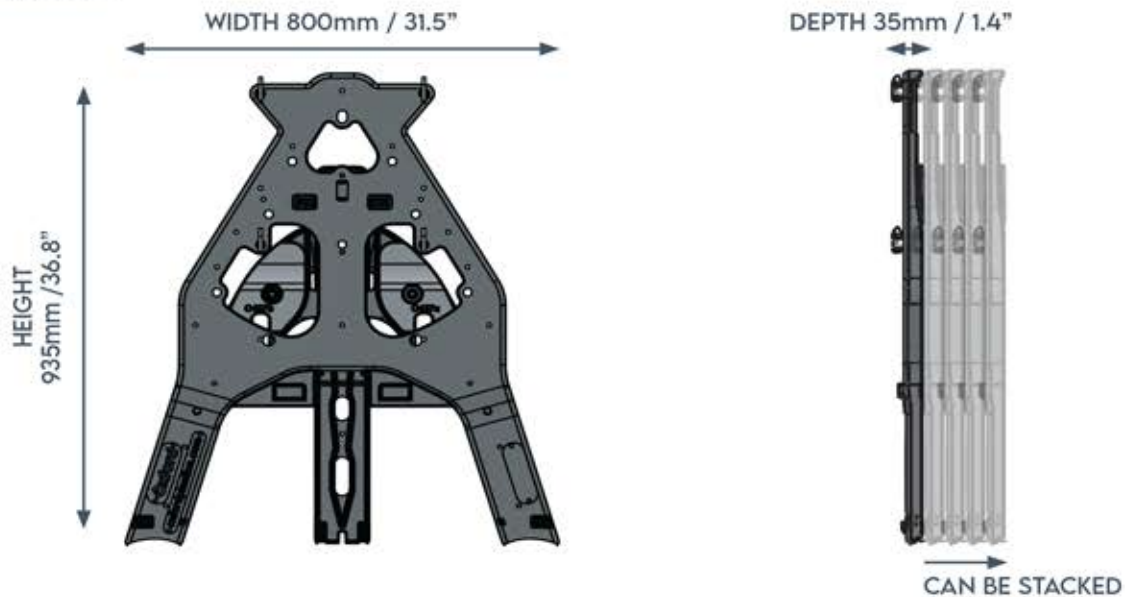
# DIMENSIONS AND WEIGHTS

## ENDURASIGN QUICKFIT FRAME 3.3Kg / 7.3lbs

### DEPLOYED



### COLLAPSED



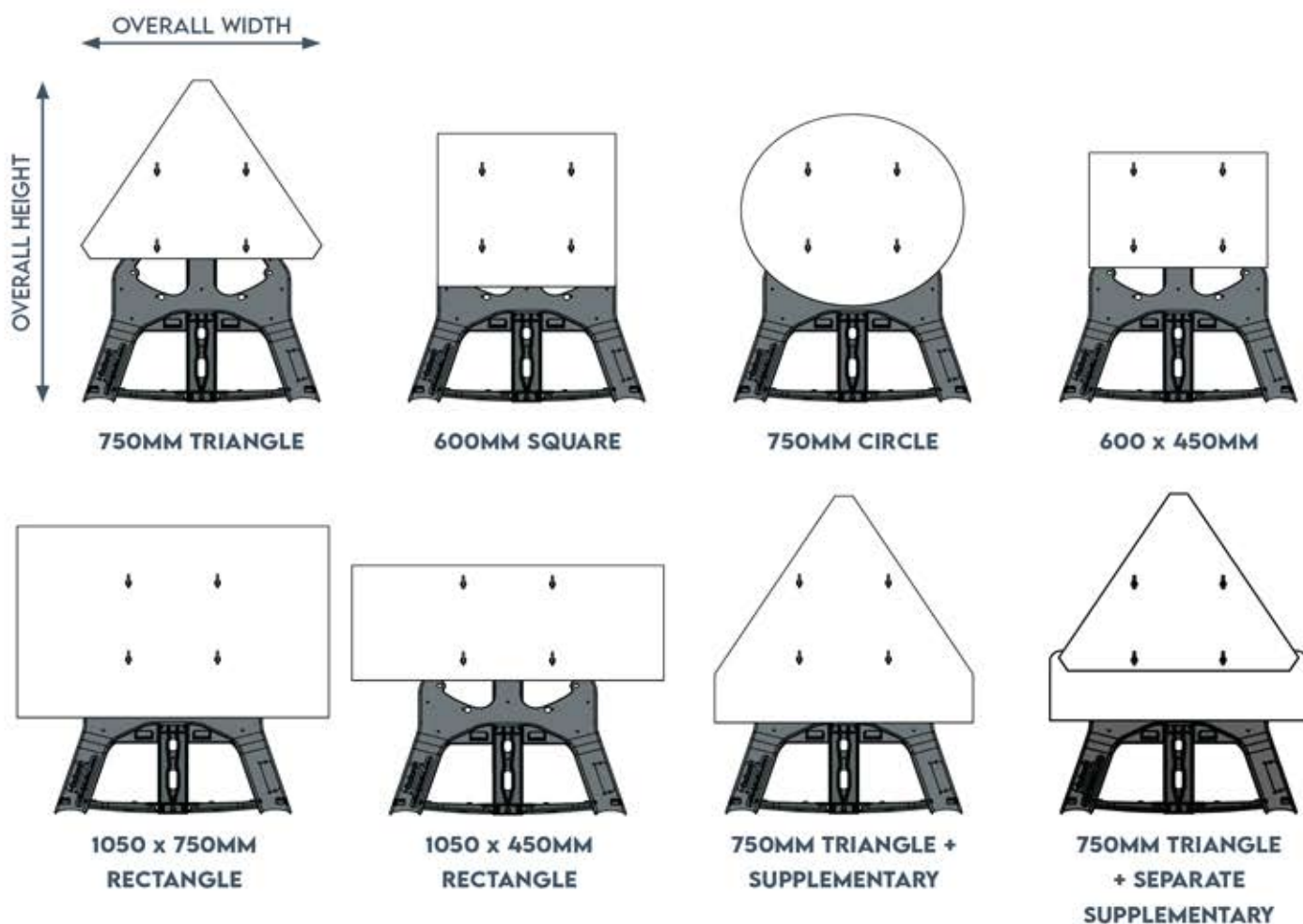
	Product Code	Assembled Weight
EnduraSign QuickFit Frame	O424	3.3kg





# DIMENSIONS AND WEIGHTS

## ENDURASIGN QUICKFIT ASSEMBLED WITH QUICKFIT SIGNFACE



Assembled Signface	Overall Height	Overall Height	Overall Width
	Deployed	Collapsed	
750mm Triangle	1220mm	1305mm	870mm
600mm Square	1050mm	1120mm	780mm
750mm Circle	980mm	1045mm	780mm
600 x 450mm Rectangle	910mm	970mm	780mm
1050 x 750mm Rectangle	1050mm	1120mm	1050mm
1050 x 450mm Rectangle	910mm	970mm	1050mm
750mm Triangle + Supplementary	1200mm	1290mm	870mm
750mm Triangle + Separate Supplementary	1200mm	1290mm	870mm

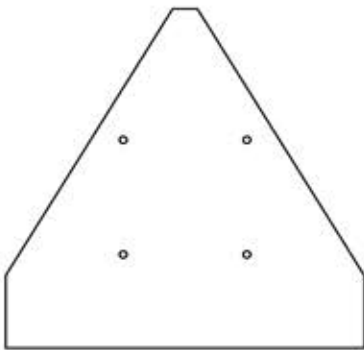




# SUPPLEMENTARY PLATE

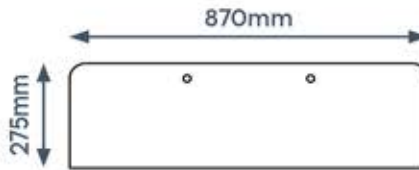
The EnduraSign QuickFit Frame is compatible with supplementary plates. Fit with either a single piece sign face and sup plate, or a 2 piece sign face and sup plate.

## SINGLE PIECE OPTION

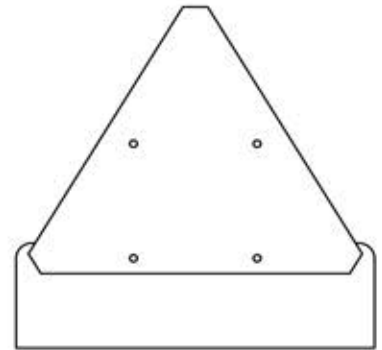


SINGLE PIECE 750MM TRIANGLE + SUPPLEMENTARY PLATE

## TWO PIECE OPTION

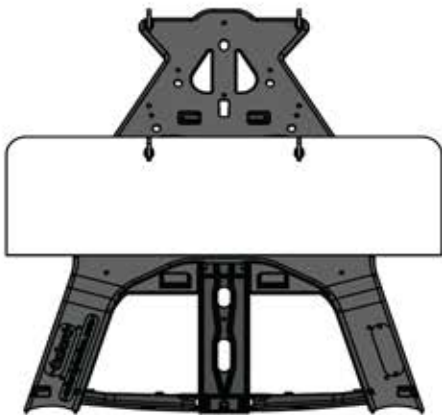


SEPARATE SUPPLEMENTARY PLATE

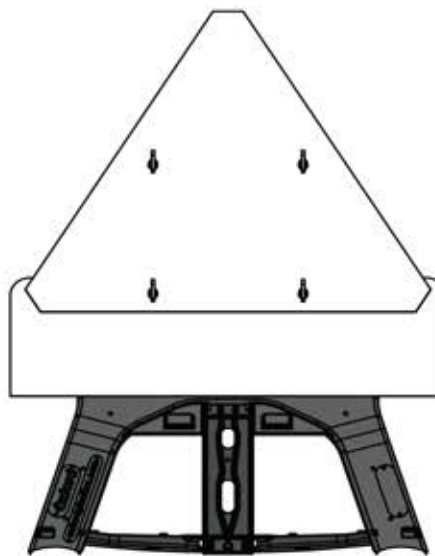


750MM TRIANGLE

## TWO PIECE SIGN FACE AND SUP PLATE INSTALLATION INSTRUCTIONS



Fit supplementary plate to bottom drop locks on sign frame.



Fit sign face over the top of the supplementary plate.



# ENDURASIGN BALLAST

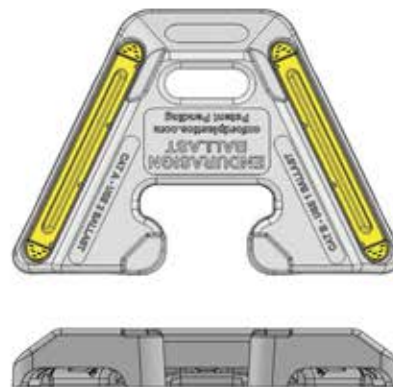
Achieve wind resistance up to Category A (59mph), and reduce defect notices from signs blowing over. See 'WIND RESISTANCE' page for full ballasting details.

The EnduraSign Ballast can be used on all metal and plastic temporary signs to ensure that temporary works stay clearly signposted and street works compliant.

This ballast weight replaces sandbags, it is stackable, quick to deploy and is significantly longer-lasting



Product No.	O426
Width	555mm
Length	407mm
Height	90mm
Weight	10kg
Quantity / Pallet	60
Colour	Black & Yellow



## DURABLE & SAFE

Create safe signage installations without using sandbags.

Avoid debris and trip hazards caused by the deterioration of sandbags.

Create highly visible signage installations.

## COMPACT & EASY TO USE

Can be easily installed, transported and stored.

Locks onto the EnduraSign to provide stability across a series of different signs in up to Category A winds.

## EXTRAS

Adapt and customise ballast with corporate nameplate (120mm x 40mm), MOQ 180.

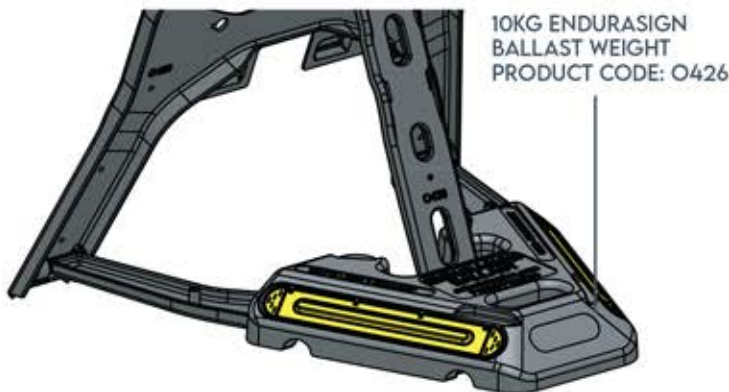
A closed loop recycling product made of recycled PVC.



# WIND RESISTANCE

## TRAFFIC SIGNS MANUAL (CHAPTER 8) COMPLIANCE

### WITHSTANDS WINDSPEED CATEGORY C WITHOUT ANY BALLAST



#### CODE COMPLIANCE

Wind classes are taken from BS 8442 (2006) Miscellaneous Road Traffic Signs and Devices – Requirements and Test Methods.

Wind tests conform to BS 8442 (2006) Annex B



For added stability, cable tie the EnduraBallast onto the EnduraSign QuickFit Frame as shown.

#### Ballast required for Windspeed Categories

Assembled Signface	C: 8.7m/s (19mph)		B: 17.6m/s (39mph)		A: 26.3m/s (58mph)	
	Sandbag	EnduraSign	Sandbag	EnduraSign	Sandbag	EnduraSign
	Weight	Ballast	Weight	Ballast	Weight	Ballast
750mm Triangle	None	None	8kg	One	22kg	Three
600mm Square	None	None	7kg	One	21kg	Three
750mm Circle	None	None	5kg	One	17kg	Two
1050 x 750mm Rectangle	None	None	13kg	Two	36kg	Four
600 x 450mm Rectangle	None	None	4kg	One	13kg	Two
1050 x 450mm Rectangle	None	None	7kg	One	20kg	Two
750mm Triangle + Supplementary	None	None	9kg	One	26kg	Three





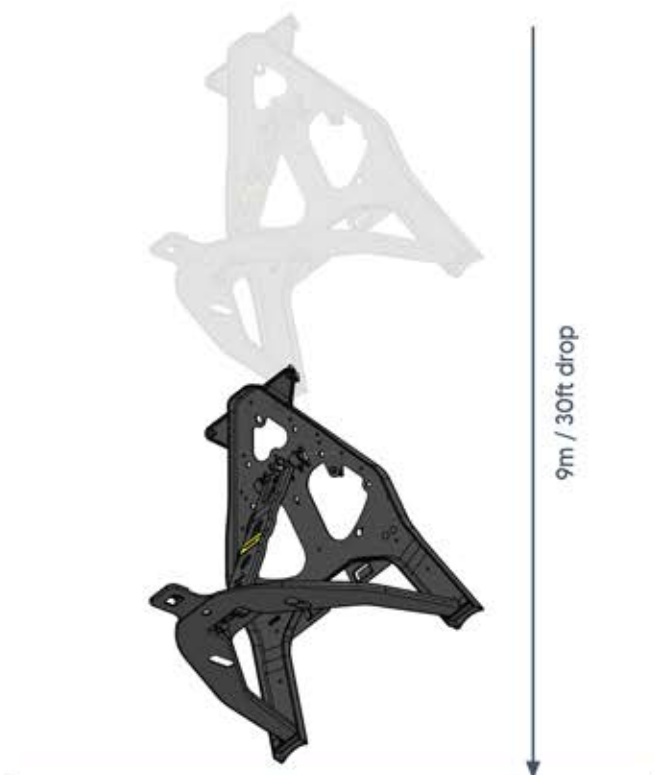


## DURABILITY TESTING



### DRIVE OVER TEST

Manufactured with a flexible material that won't crack, the Endurasign QuickFit Frame can endure being driven over by a HGV and remain intact and useable.



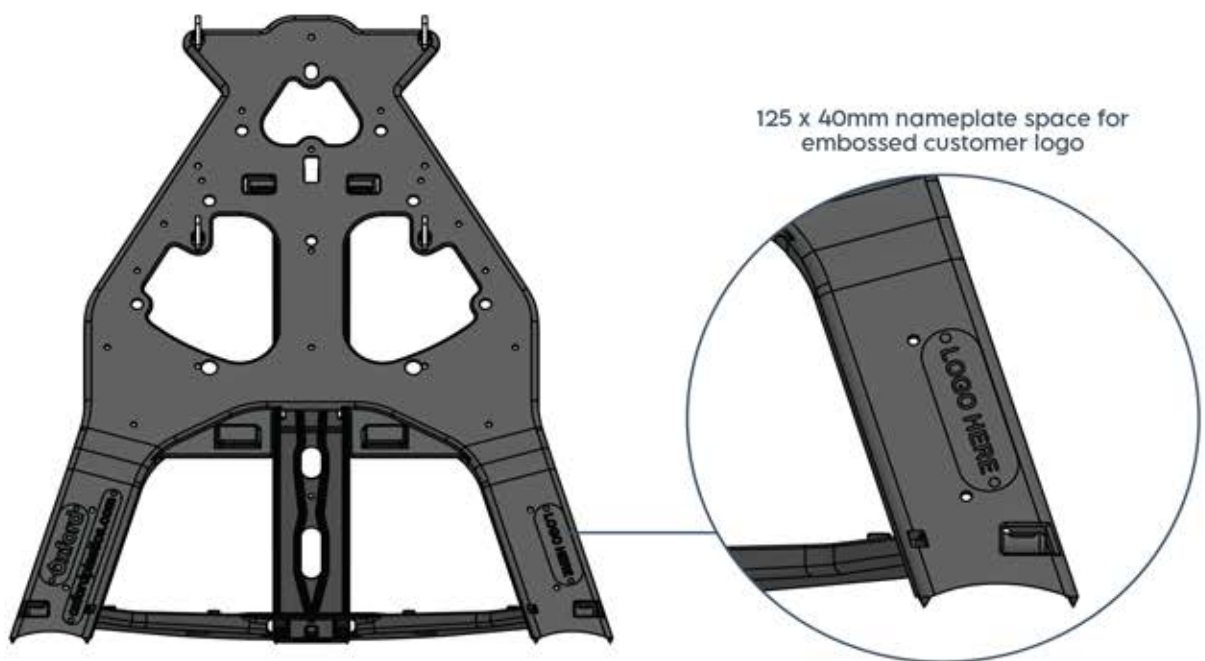
### DROP TEST

The Endurasign QuickFit Frame is tested and proven to withstand a drop from 9m / 30ft high without sustaining any damage.

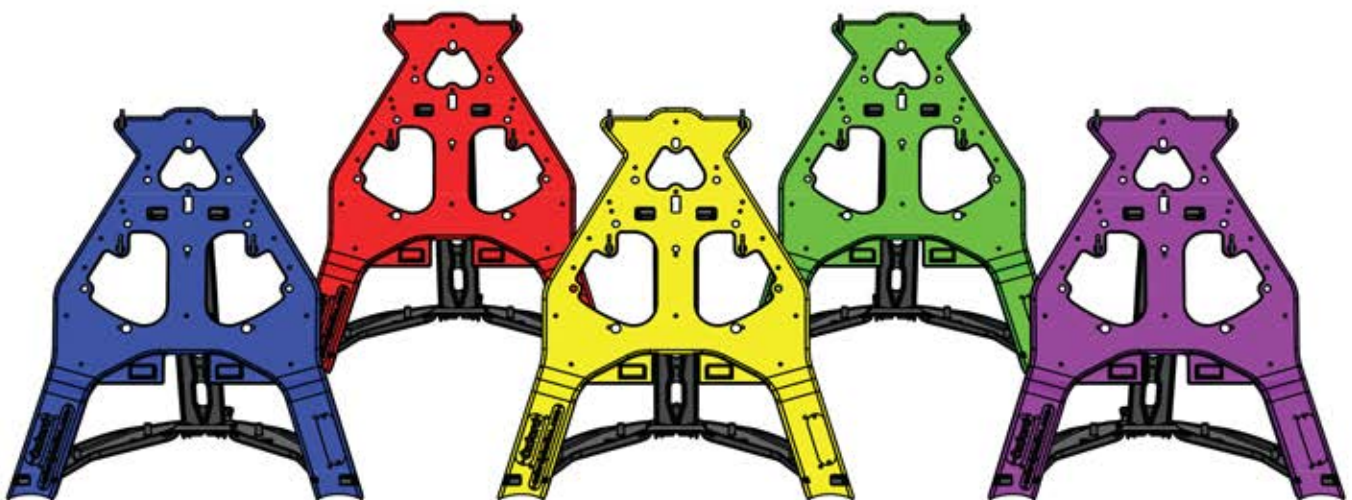


## COLOUR AND CUSTOMISATION

### THEFT PREVENTION AND INVENTORY MANAGEMENT WITH CORPORATE CUSTOMISATIONS

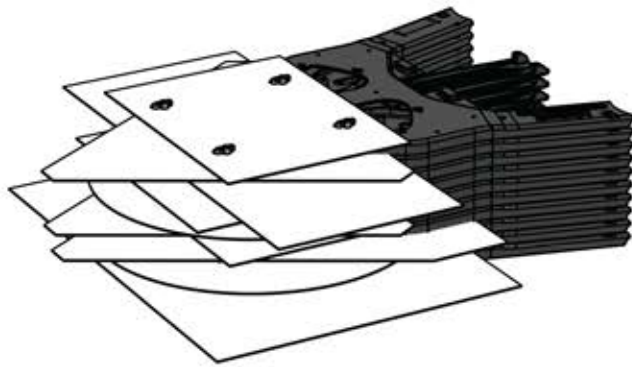


RAL coloured frames, MOQ 150

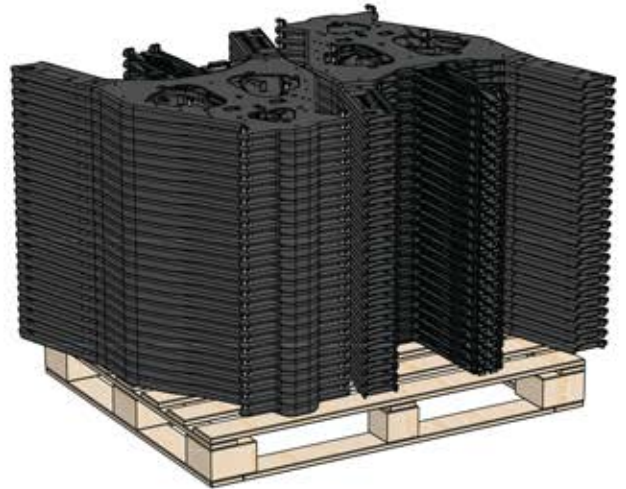




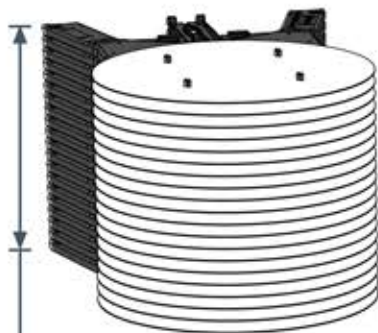
# COMPACTNESS AND LIGHTNESS



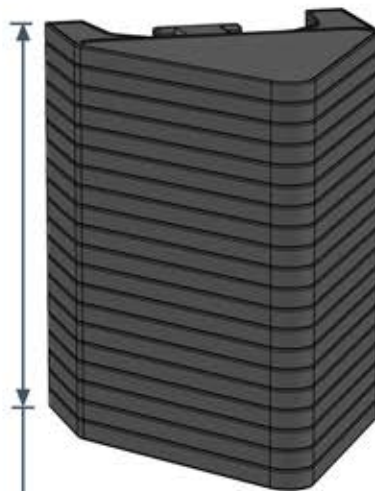
Endurasign QuickFit can be stacked with signfaces still attached.



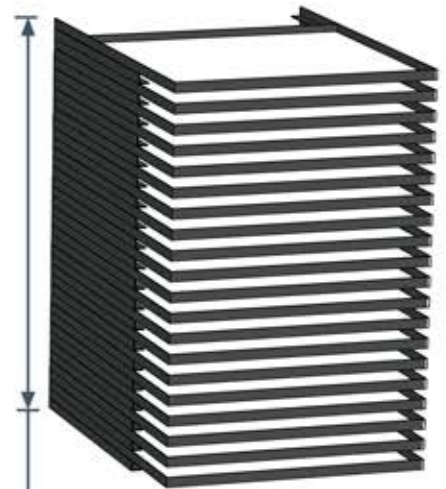
Fifty Endurasign QuickFit Frames stacked in two lots of twenty-five on a pallet.



20x Endurasign QuickFits stacks 700mm high



20x Alternative Plastic Signs stacks 1200mm high



20x Metal Signs stacks 1240mm high

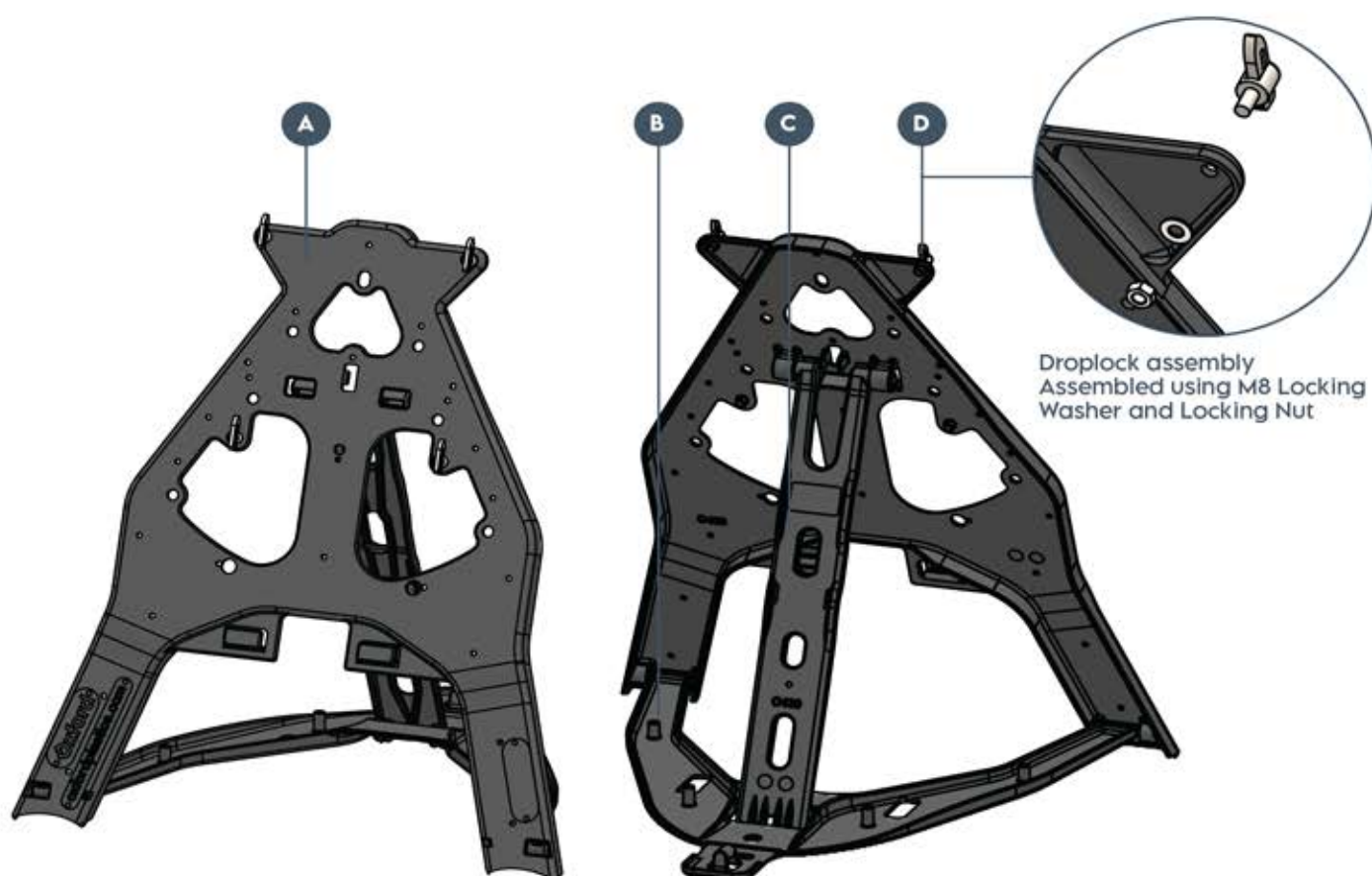
	EnduraSign QuickFit	Alternative Plastic Sign	Metal Sign
Triangle Sign Weight	4.3kg	6.8kg	6.35kg
Stacked Sign Height	35mm	60mm	62mm





## SPARES AND MAINTENANCE

Parts can be disassembled, enabling elements to be replaced in the unlikely event of damage.



	Part Name	Material	Product code
A	Body	Black - Recycled plastic Custom colour - Virgin plastic	O428
B	Stay	Black - Recycled plastic	O429
C	Leg	Black - Recycled plastic	O430
D	Droplock	Galvanised steel	O425

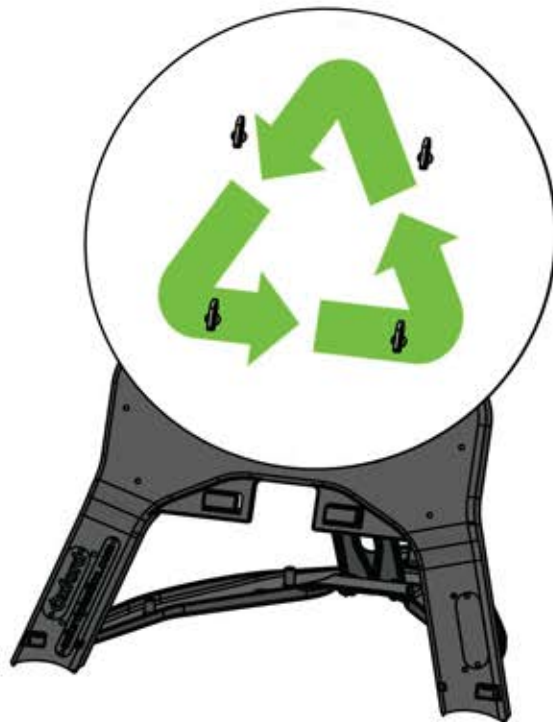


## RECYCLABILITY

### CLOSED LOOP RECYCLING PRODUCTS

Made using recycled plastic materials

End of life products can be returned to Oxford Plastics for recycling.



The EnduraSign Ballast, made of recycled PVC, can be re-ground at Oxford Plastics and used to make new products.





## CONTACT INFORMATION

### UK & R.O.W

Oxford Plastic Systems Ltd  
Unit T2, Enstone Business Park  
Enstone,  
Chipping Norton  
Oxfordshire  
OX7 4NP  
United Kingdom

[sales@oxfordplastics.com](mailto:sales@oxfordplastics.com)  
Tel: +44(0)1608 678888

### USA

Oxford Plastic Systems LLC  
1011 Centre Rd,  
Suite 312,  
Wilmington  
DE  
19805  
USA

[info@oxfordplasticsusa.com](mailto:info@oxfordplasticsusa.com)  
1-800-567-9182

