

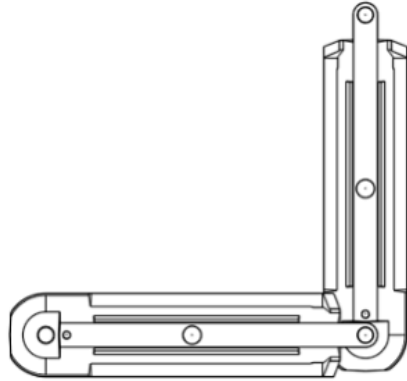
DATA SHEET

NOVUS BARRIER

Unique barrier which corners to 90 degrees and has leaves no gaps

1 / 4

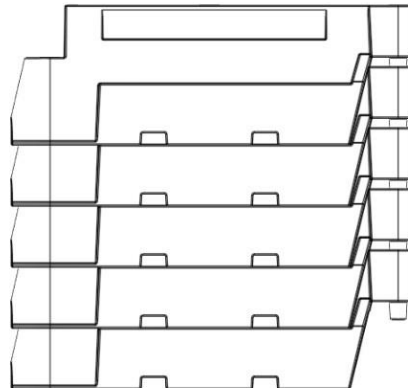
GAPLESS
CORNER



GAPLESS
STRAIGHT



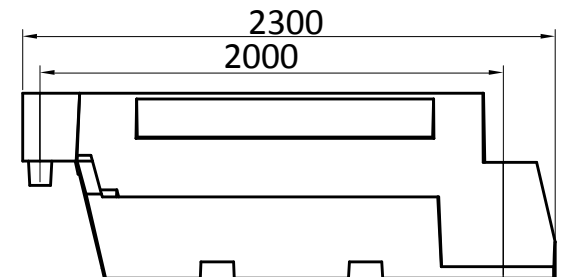
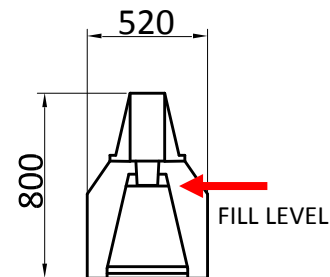
STACKED
X 5 HIGH



BARRIER

NOVUS

PRODUCT CODE	NVSV
WL	2000MM
W	520MM
H	800MM
TL	2300mm
WEIGHT E/ F	25KG /180KG
BARRIER CAPACITY	155L
PER PALLET	10
FULL LOAD	135
MATERIAL	UV MDPE
COLOUR	RED / WHITE / CUSTOM
REFLECTIVE PANEL	OPTIONAL
MIRA WIND SPEED	69.9 MPH



DATA SHEET **NOVUS BARRIER**

2 / 4

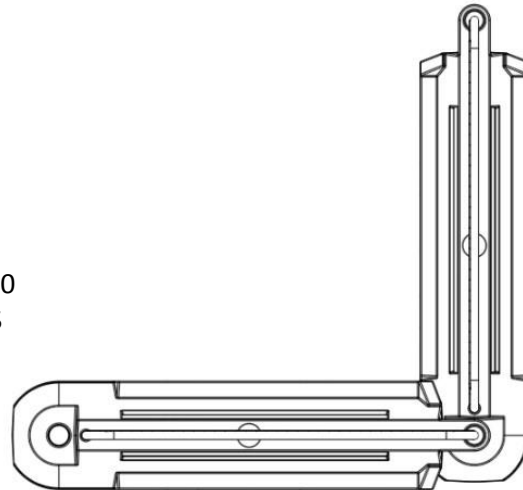
Unique barrier which corners to 90 degrees and has leaves no gaps

ACCESSORIES

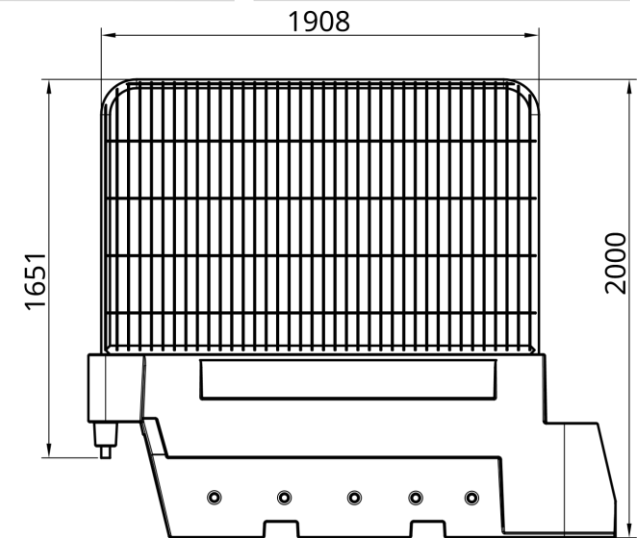
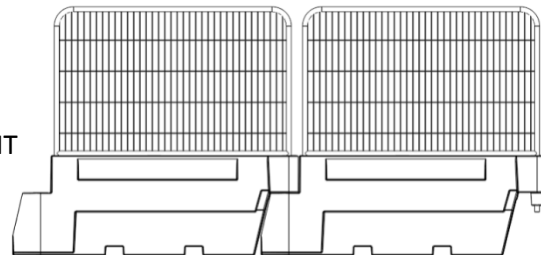
NOVUS MESH

PRODUCT CODE	NVM
L	1908MM
W	42MM
H	1651MM
TH	2000MM
WEIGHT E	8KG
PER PALLET	30
FULL LOAD INC BARRIER	95
MATERIAL	STEEL POWDER COAT
COLOUR	WHITE / CUSTOM
MIRA WIND SPEED	58.8MPH

MESH
CORNER 90
DEGREEES



STRAIGHT



DATA SHEET **NOVUS PED GATE**

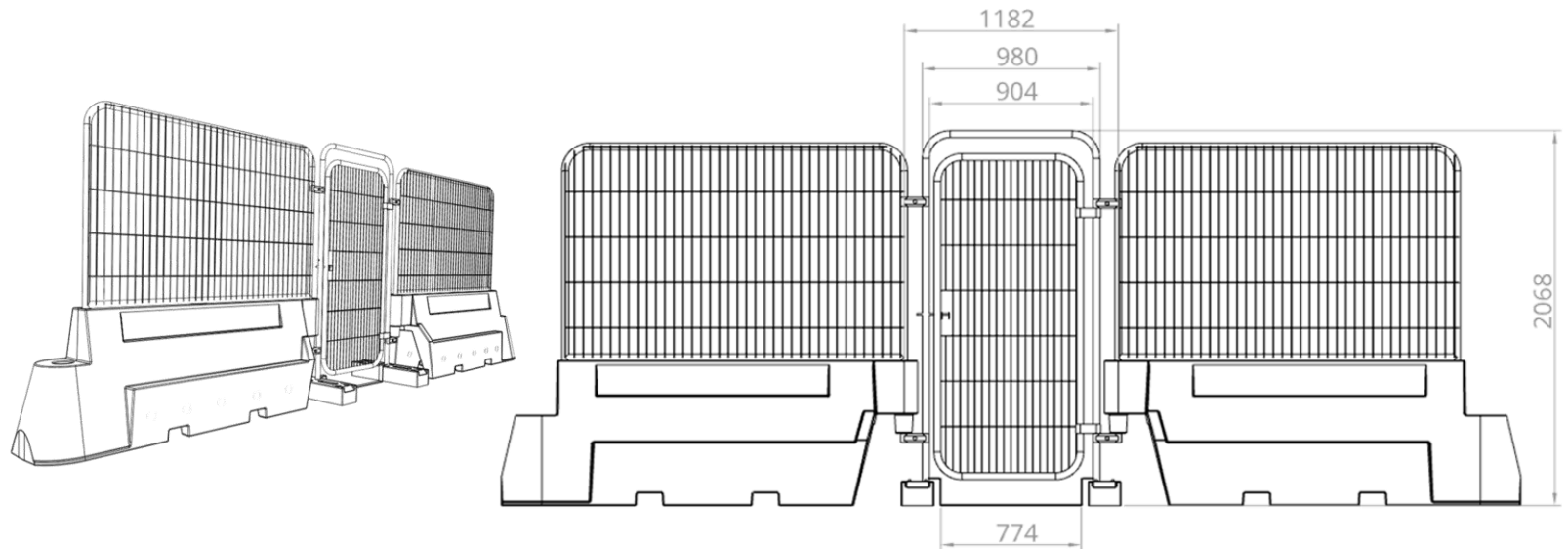
3 / 4

Unique barrier which corners to 90 degrees and has leaves no gaps

ACCESSORIES

NOVUS PED GATE

PRODUCT CODE	NPG
WL	1182MM
W	760MM (FOOT)
H	2068MM
GATE MIN WIDTH	774MM
WEIGHT E	13KG
LOCKABLE LATCH	Y
MATERIAL	STEEL POWDER COAT
COLOUR	WHITE / CUSTOM
MIRA WIND SPEED	N/A



DATA SHEET **NOVUS VEHICLE GATE**

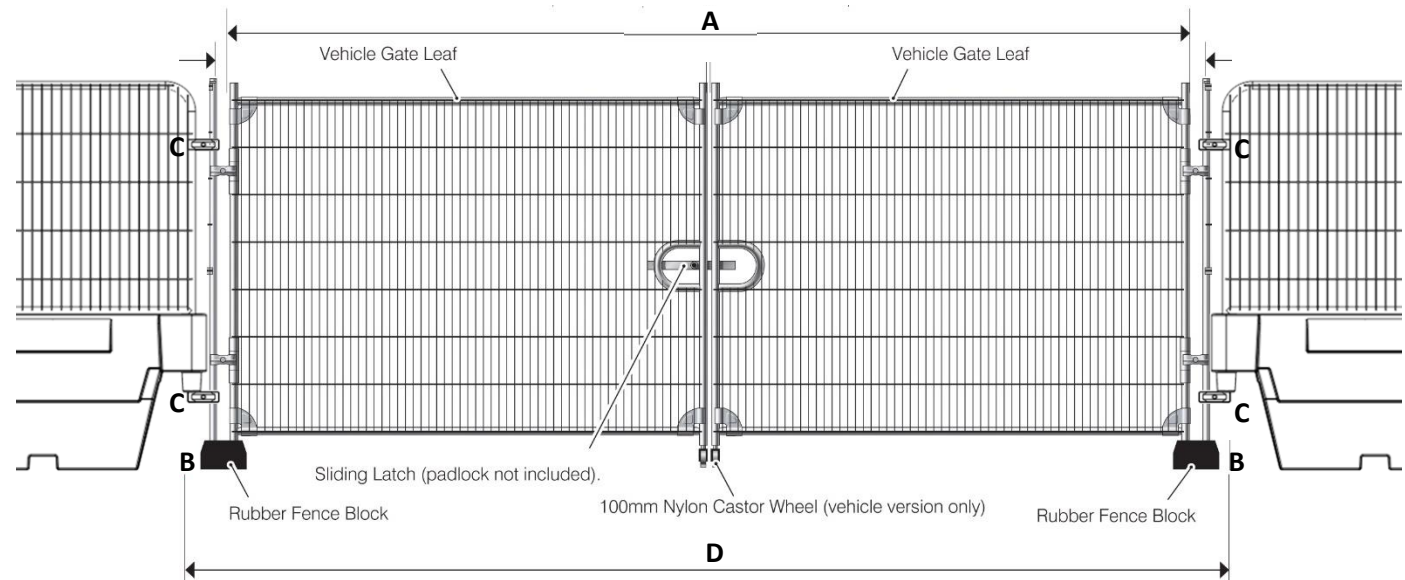
4 / 4

Unique barrier which corners to 90 degrees and has leaves no gaps

ACCESSORIES

NOVUS VEHICLE GATE

	SIZE	CODE
A. GATES	2M	NVG2
	3M	NVG3
	4M	NVG4
B. RUBBER FEET	2 X 18 KG	
C. CLIPS	4 X LARGE	
D WORKING L	GATE SIZE + 0.42M	



**WARNING: FAILURE TO FOLLOW THESE GUIDLINES COULD RESULT
IN INJURY OR DEATH**

Oaklands Group always recommends that a site survey and a full risk assessment must be carried out before using the equipment.

It is the responsibility of the end user to make sure the system is suitable for their intended use. The system must be installed by an experienced and competent person and inspected regularly.

1. Tipping and sliding values, where provided, are as guide only and It is the customers responsibility to ensure the barrier and fencing system selected is suitable for their specific location.
2. The system should be installed on a flat, level surface.
3. Water ballast must be added to the correct level as indicated in the data sheet.
4. Water ballast level must be regularly checked and maintained to the fill level.
5. Connecting steel work and fencing systems must be regularly inspected for cracks of faults and replaced if faulty.
6. Connecting steel work fasteners must be regularly inspected for tightness.
7. In unsupported areas such as gates addition ballast may be required