

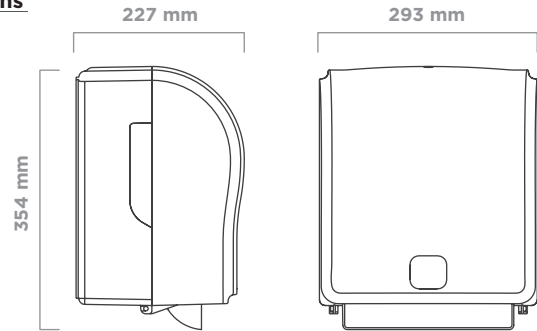


optima line

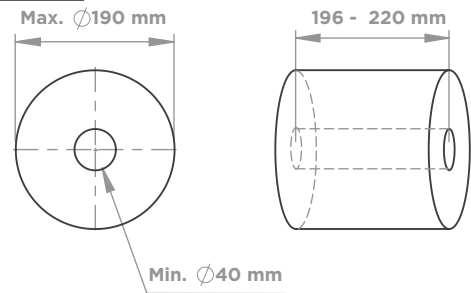
touchless roll towel dispenser



dimensions



roll paper dimensions



Type	Touchless
Item No	910603
Colour	White or Black
Plastic Material	ABS
Mounting Type	Wall mount
Packaging Dimensions (mm)	395 (l) x 260 (w) x 425 (h)
Gross Weight (kg)	2,8
Net Weight (kg)	2,52
Paper service length (cm)	20 - 36 (min. - max.)
Delay Time (sec)	1 - 4 (min. - max.)
Power supply	220-240 V / 50-60 Hz or Alkaline LR20 D Size Batteries (4 pcs.)
Battery Life	Up to 36.000 services
Case Quantity (pcs.)	1



(UK) PrimeSource, PO BOX 15247, Birmingham, B23 3HN, UK
 (IE) PrimeSource, Unit D9, Horizon Logistics Park, Co. Dublin, Ireland K67 N4T2
 Email: info@prime-source.co.uk

PRISTINE® is a registered trademark of Bunzl UK Ltd